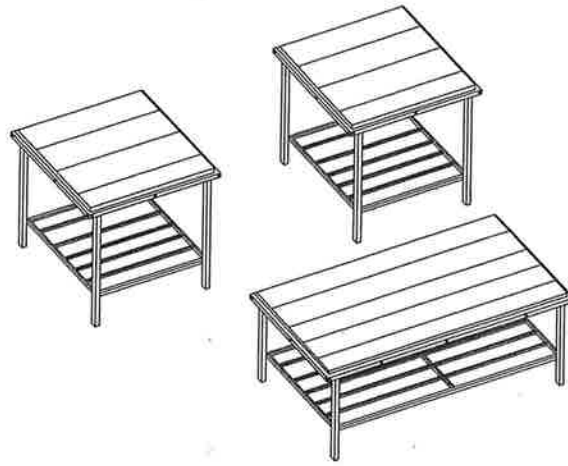
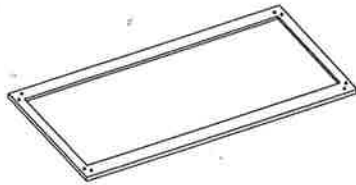


ASSEMBLY INSTRUCTIONS

505



A*2PCS



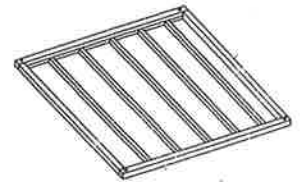
B*1PC



C*4PCS



D*4PCS



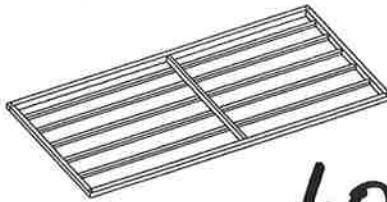
E*2PCS



F*2PCS



G*2PCS



H*1PC

Cap's for LEG'S.

100.

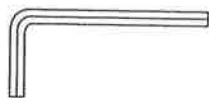
2pc of each

I*36PCS



1/2" * 1 CM

J*1PC

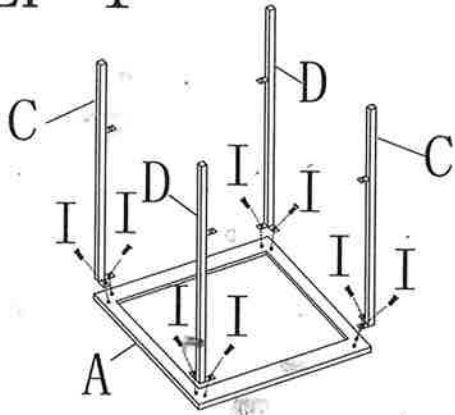


4M

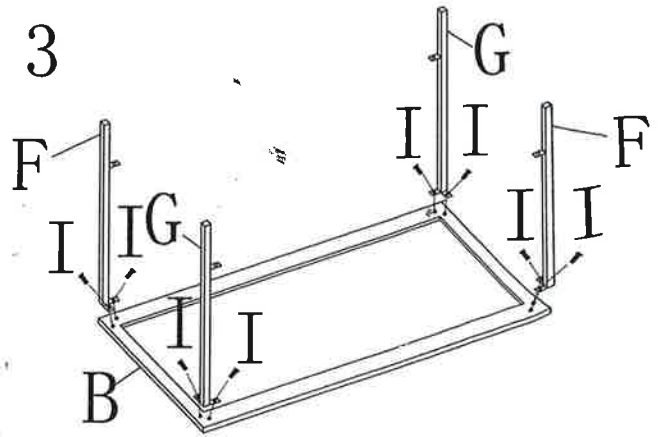
hardware
10 sets

Note: Pls do not tighten all bolts until the table are assembled completely

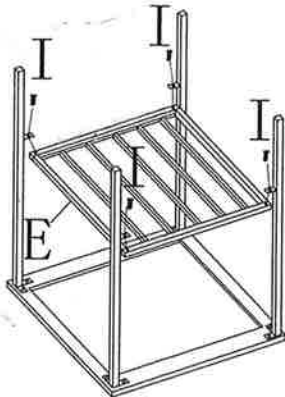
STEP 1



STEP 3



STEP 2



STEP 4

