





# ANTI - TIPPING KIT

## FOR CHEST, DRESSER, PLASMA/TV CHEST & NIGHTSTAND (IF OVER 30")

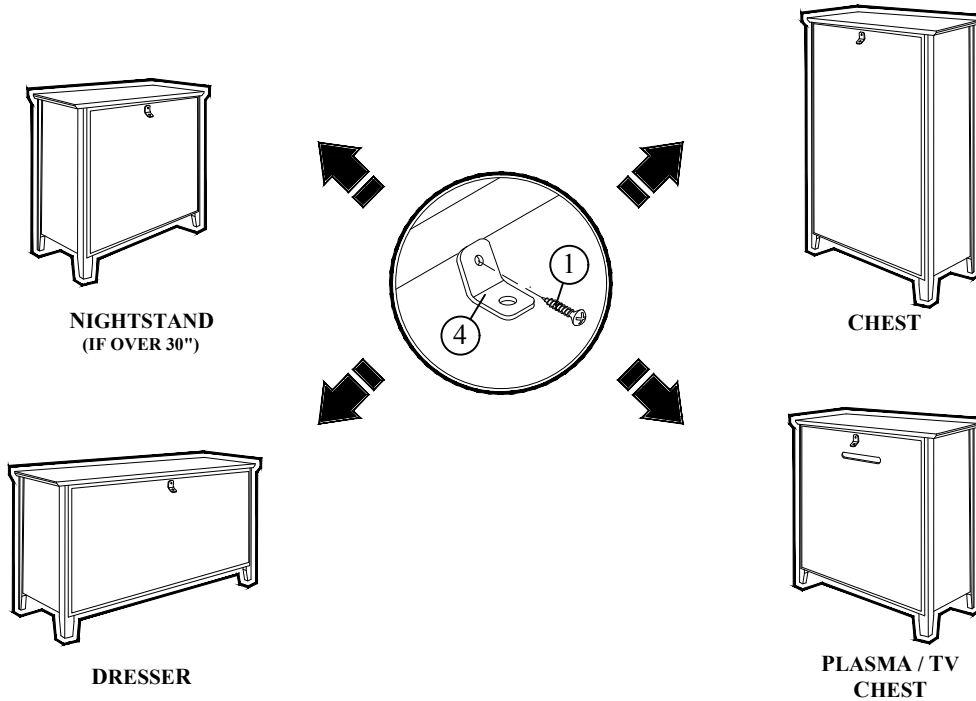
**This Tip Restraint Must Be Attached To A Wall Stud Using Long Screw Enclosed**

### HARDWARE

- |    |  |             |       |
|----|--|-------------|-------|
| 1. |  | Short screw | 1 pc  |
| 2. |  | Long screw  | 1 pc  |
| 3. |  | Cable tie   | 1 pc  |
| 4. |  | L Bracket   | 2 pcs |

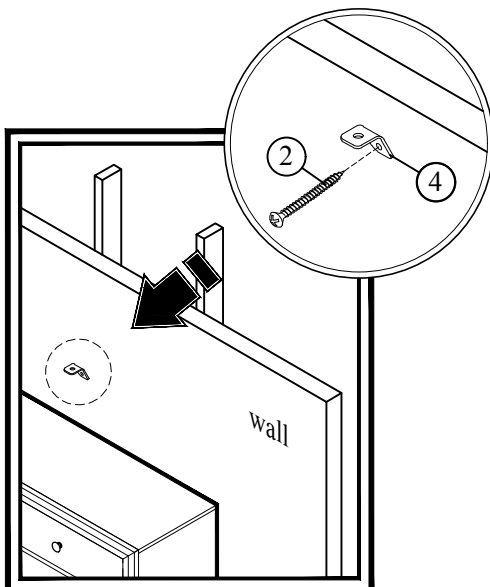
### STEP 1

Attach a bracket securely to the back top rail of the casegoods using short screw provided, through the smaller hole.



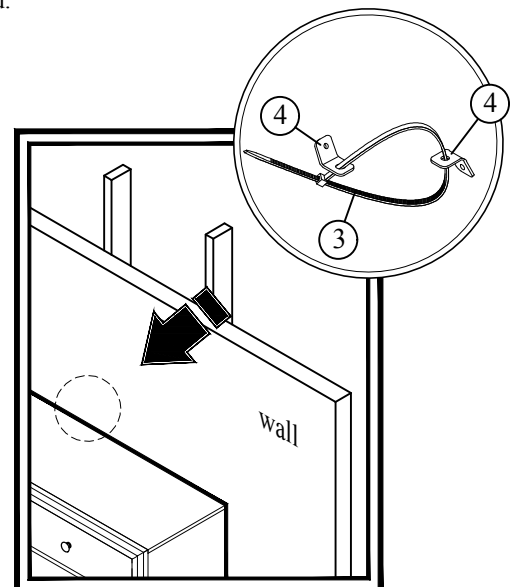
### STEP 2

Locate the other bracket on the wall over a wall stud and two inches below the mounting bracket secured to the back of casegoods. Attached to the wall stud using the long screw provided, through the smaller hole.



### STEP 3

Place the casegoods into position so both mounting brackets are vertically in line. Lace the end of the restraint strap through the larger hole in each mounting bracket. Bring both ends together and slide the flat end through the locking end and draw it through until all slack is removed. Confirm that the strap is securely laced and locked.



# ASSEMBLY INSTRUCTIONS

**MODEL :** FBMIRR-077A + FBDSRA-077A

**ASSEMBLY TIPS :**


1. Remove hardware from box and sort by size.
2. Please check to see that all hardware and parts are present prior to start of assembly.
3. Please follow attached instructions in the same sequence as numbered to assure fast and easy assembly.

**REVISION :** A

**Component List**

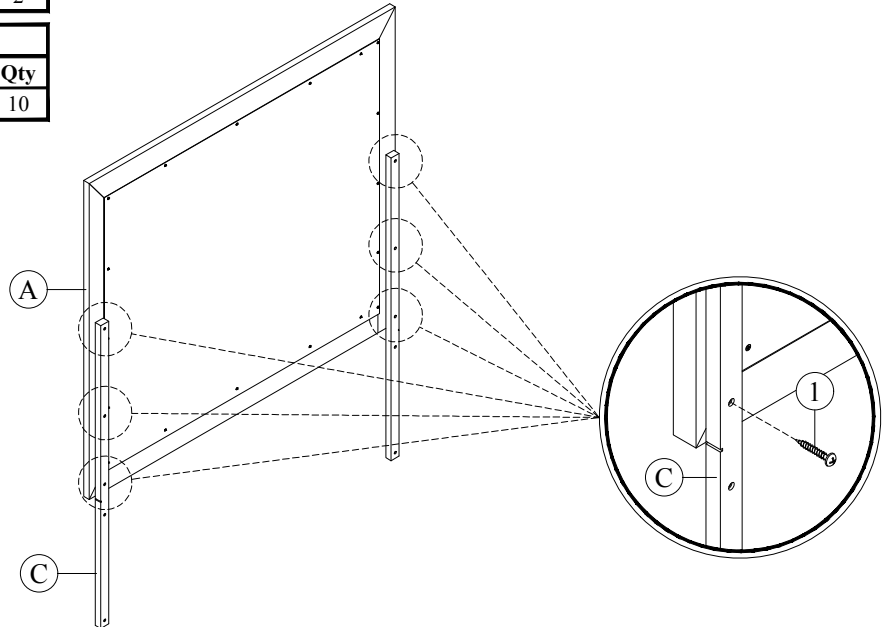
No	Descriptions	Qty
A	Mirror	1
B	Dresser	1
C	Mirror Support	2

**Hardware List**

No	Descriptions	Qty
1	PHCB Screw M4 x 32mm 	10

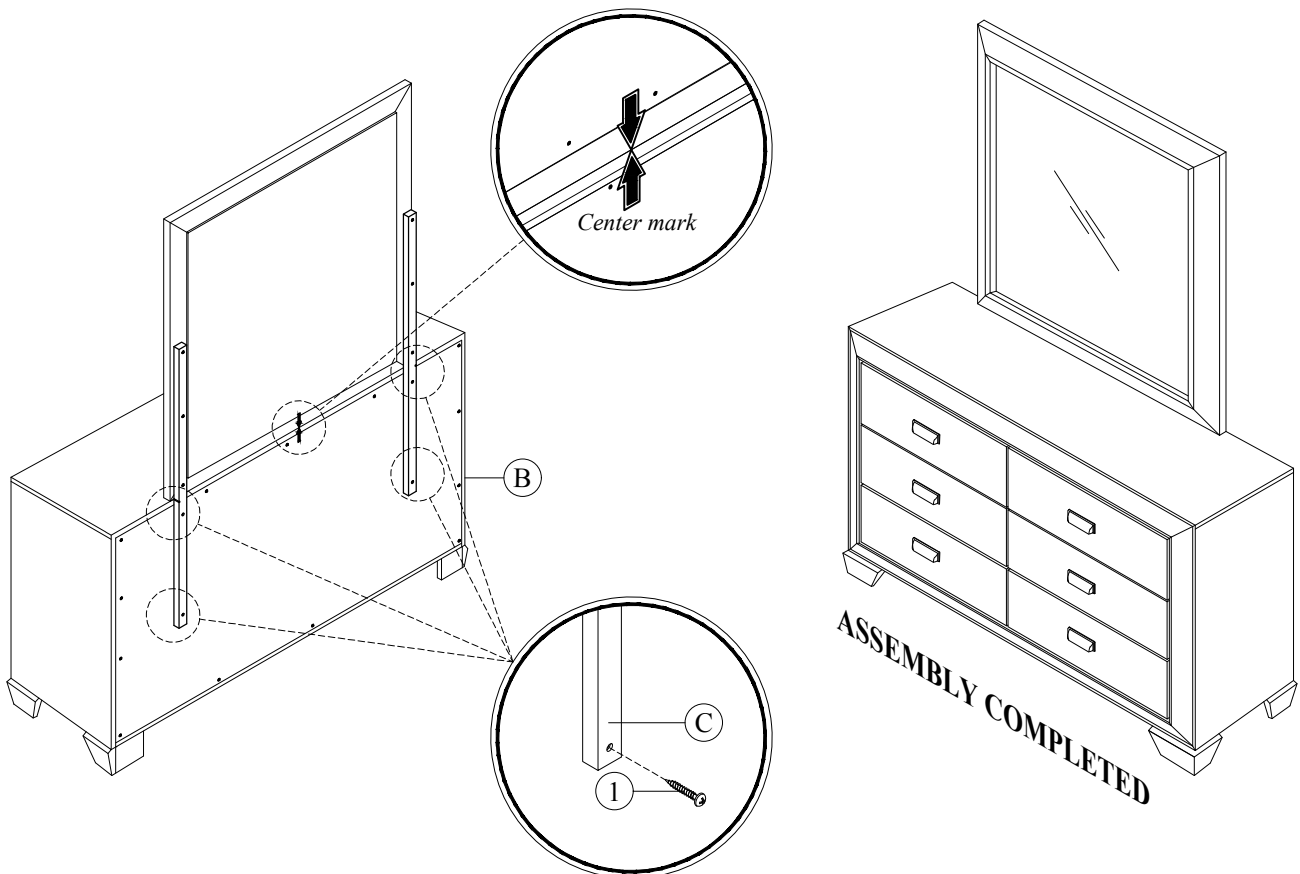
**STEP 1**

Attach mirror support to the mirror back, then tighten with screw. Make sure the marking line on mirror support is at the same level as the bottom of mirror.



**STEP 2**

Place the mirror with support on the top of dresser. Then align center as shown and tighten with screw.



# ASSEMBLY INSTRUCTIONS

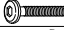




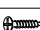
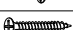

**MODEL : FBFHFR-077D +  
FBFSRR-077E +  
FBFDWR-077A**

**REVISION : A**

**ASSEMBLY TIPS :**

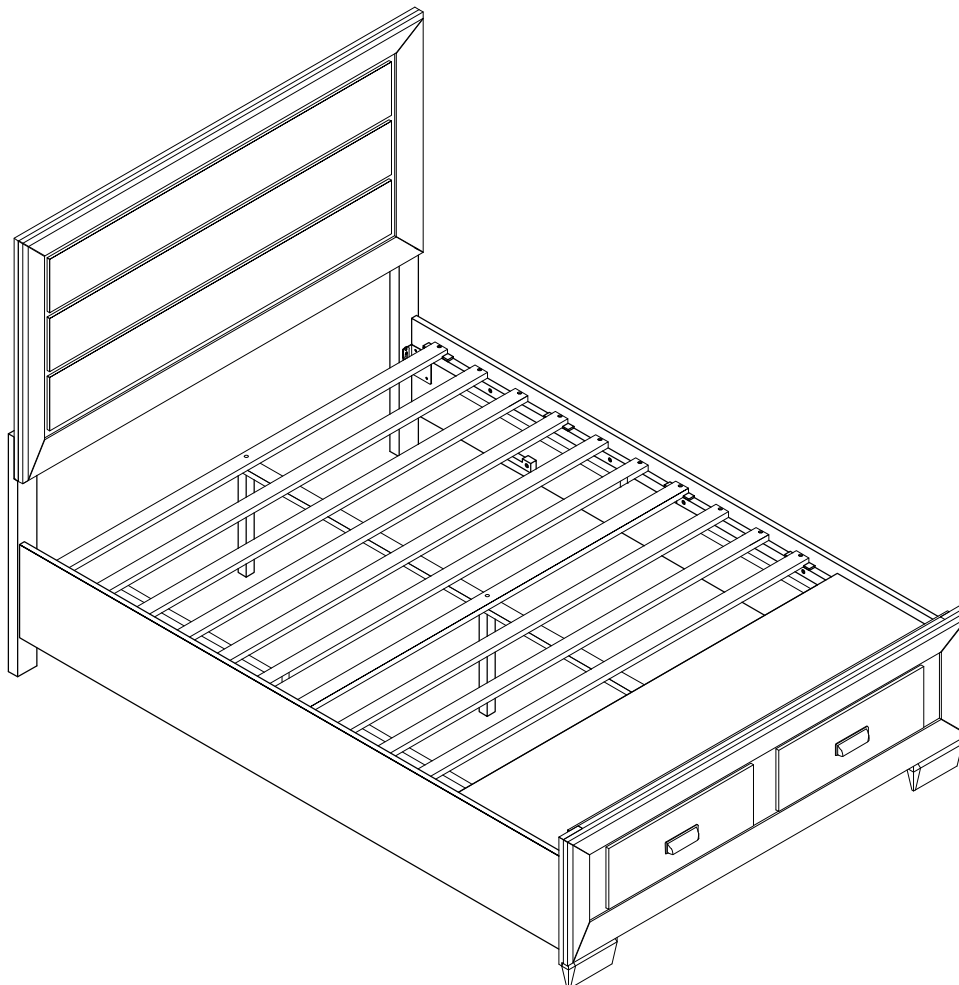
1. Remove hardware from box and sort by size.
2. Please check to see that all hardware and parts are present prior to start of assembly.
3. Please follow attached instructions in the same sequence as numbered to assure fast and easy assembly.

Component List		
Headboard & Footboard		
No	Descriptions	Qty
A	Headboard Panel	1
B	Headboard Leg Left (L)	1
C	Headboard Leg Right (R)	1
D	Footboard Panel	1
E	Slat Cover	1
F	Drawer Slat	1
G	Drawer Slat Support	1
H	Bed Slat 3 Holes	3
I	Bed Slat 2 Holes	10
J	Bed Slat Support	3

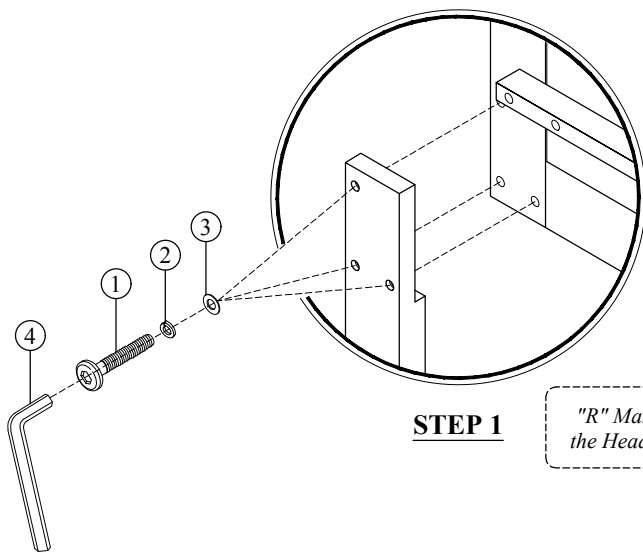
Hardware List In Headboard & Footboard			
No	Descriptions		Qty
1	JCBC Screw M6 x 30mm		6
2	Spring Washer Ø1/4"		6
3	Flat Washer Ø1/4" x 13mm		6
4	L Key M4 x 65mm		1
5	L Key M5 x 65mm		1
6	CSK M4 x 16mm		6
7	CSK M4 x 32mm		30
8	JCBC Screw M6 x 50mm		4

Side Rail		
No	Descriptions	Qty
K	Bed Rail	2
L	Center Slat With 3 Holes	1

Drawer		
No	Descriptions	Qty
M	Drawer	2

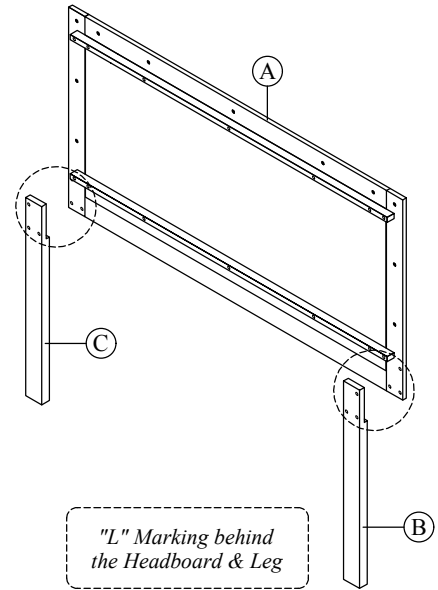


# ASSEMBLY INSTRUCTIONS

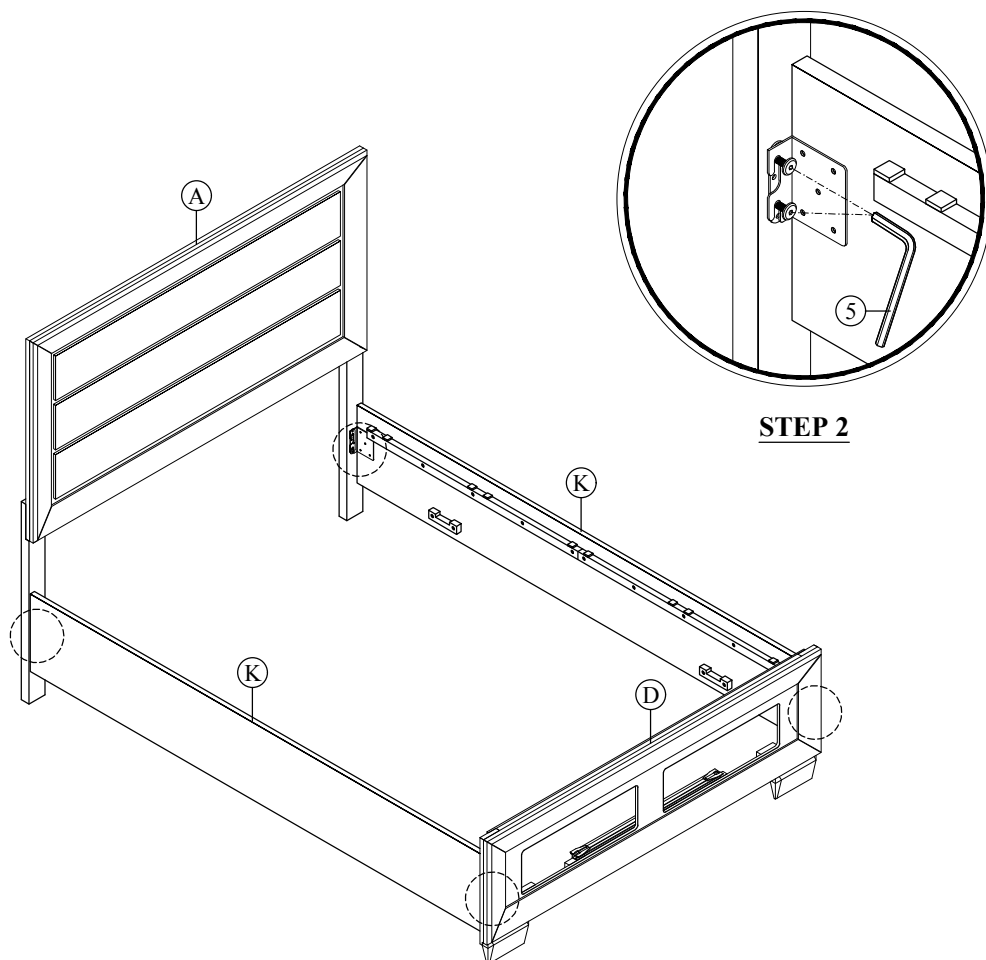


**STEP 1**

*"R" Marking behind the Headboard & Leg*

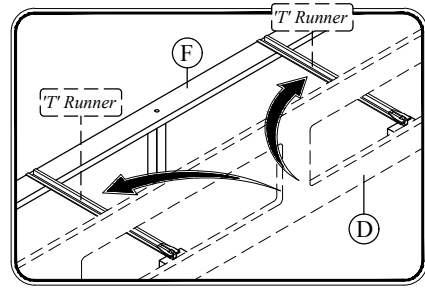


*"L" Marking behind the Headboard & Leg*



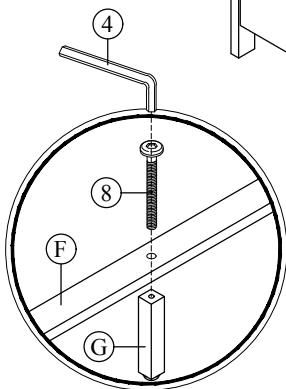
**STEP 2**

# ASSEMBLY INSTRUCTIONS

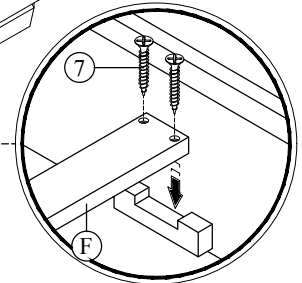


(Turn the 'T' runner towards the drawer slat.)

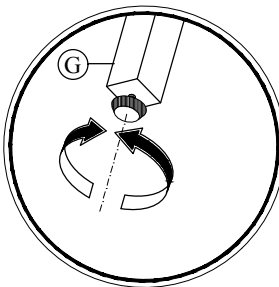
## STEP 5



## STEP 3

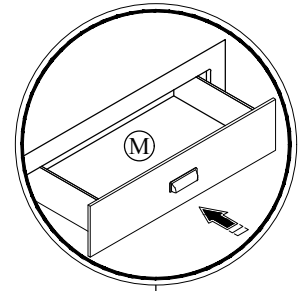


## STEP 4

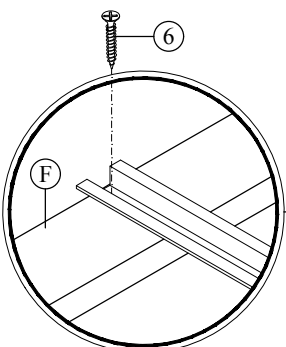


## STEP 8

Adjust the adjuster until the drawer closes tightly.



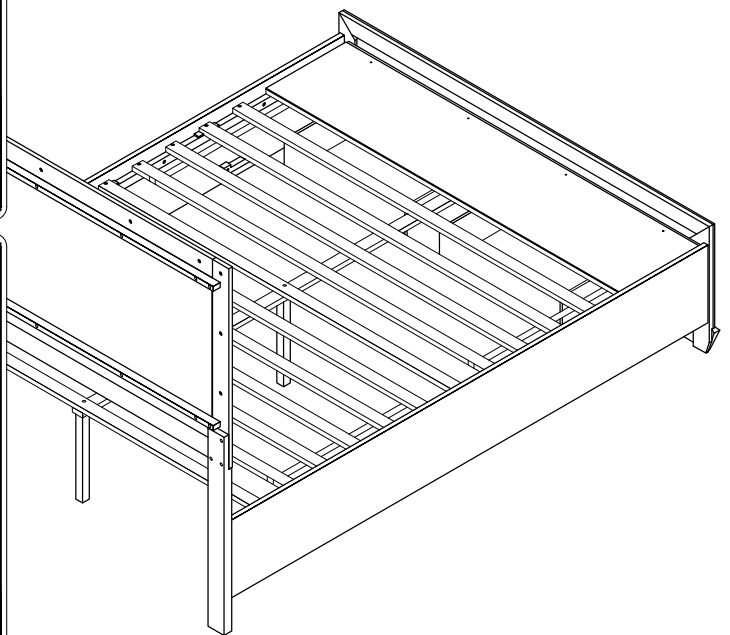
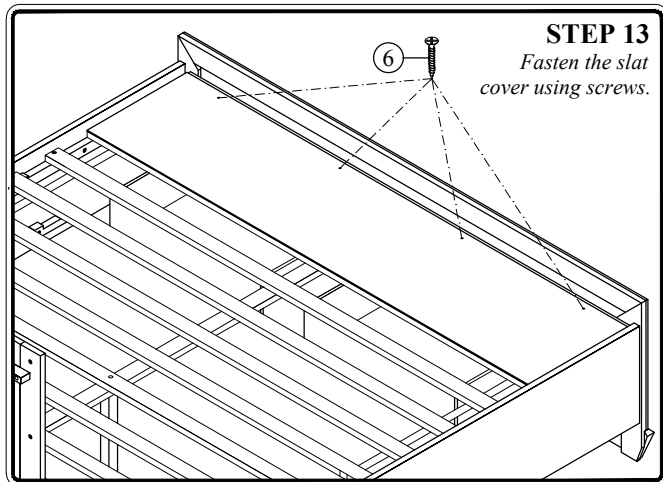
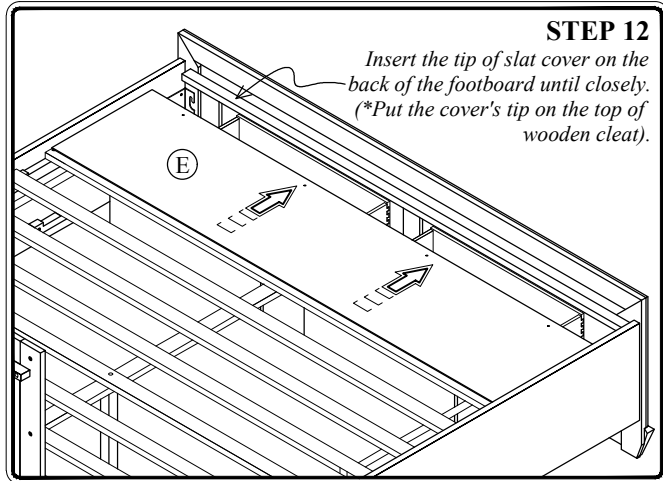
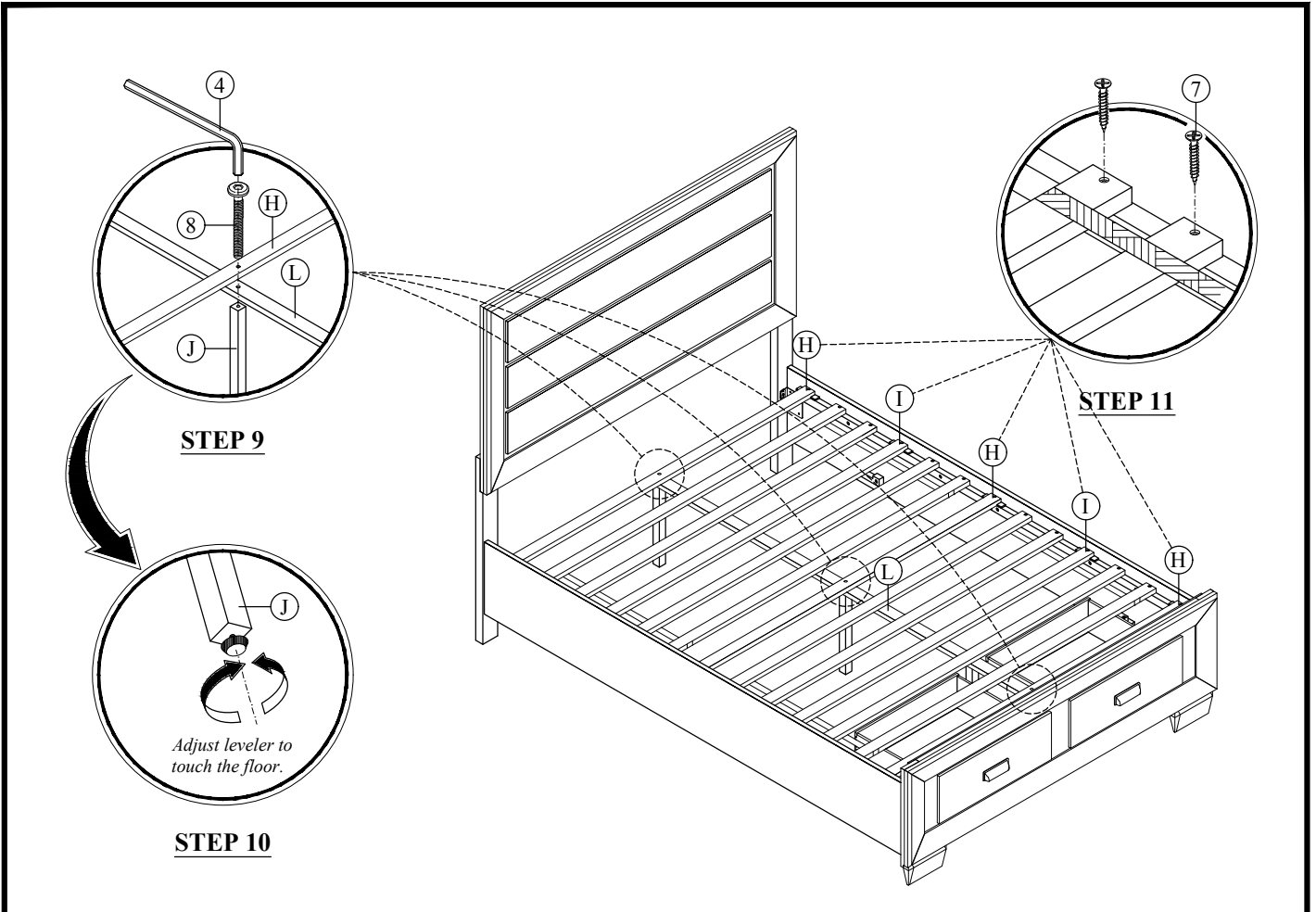
## STEP 6



## STEP 7

After insert the drawer please fasten the T-Runner on the drawer slat with screw.

# ASSEMBLY INSTRUCTIONS



# ASSEMBLY INSTRUCTIONS

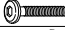




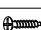
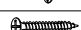

**MODEL : FBKHFR-077D +  
FBKSRR-077E +  
FBKDWR-077A**

**REVISION : A**

**ASSEMBLY TIPS :**

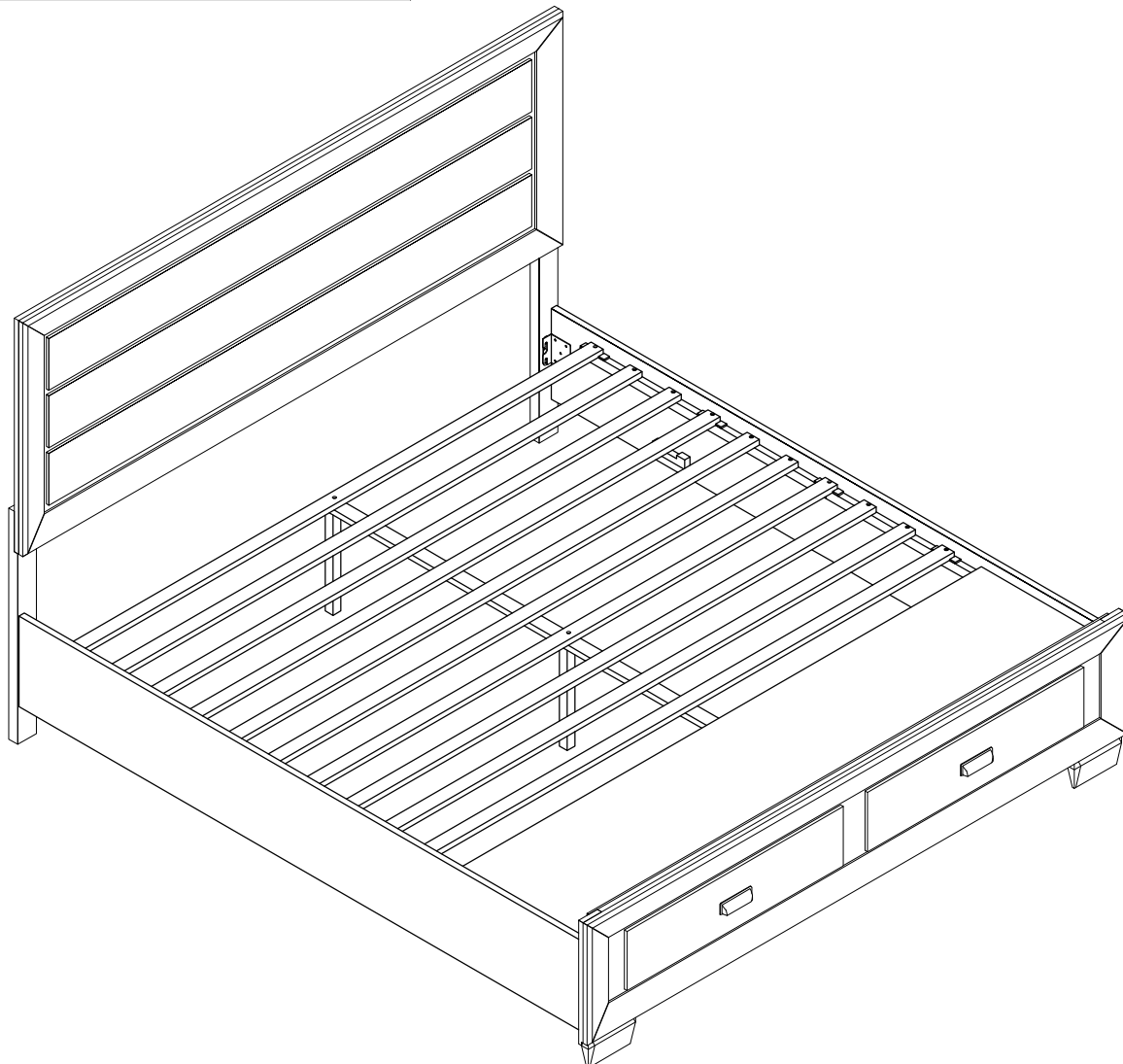
1. Remove hardware from box and sort by size.
2. Please check to see that all hardware and parts are present prior to start of assembly.
3. Please follow attached instructions in the same sequence as numbered to assure fast and easy assembly.

Component List		
Headboard & Footboard		
No	Descriptions	Qty
A	Headboard Panel	1
B	Headboard Leg Left (L)	1
C	Headboard Leg Right (R)	1
D	Footboard Panel	1
E	Slat Cover	1
F	Drawer Slat	1
G	Drawer Slat Support	1
H	Bed Slat 3 Holes	3
I	Bed Slat 2 Holes	10
J	Bed Slat Support	3

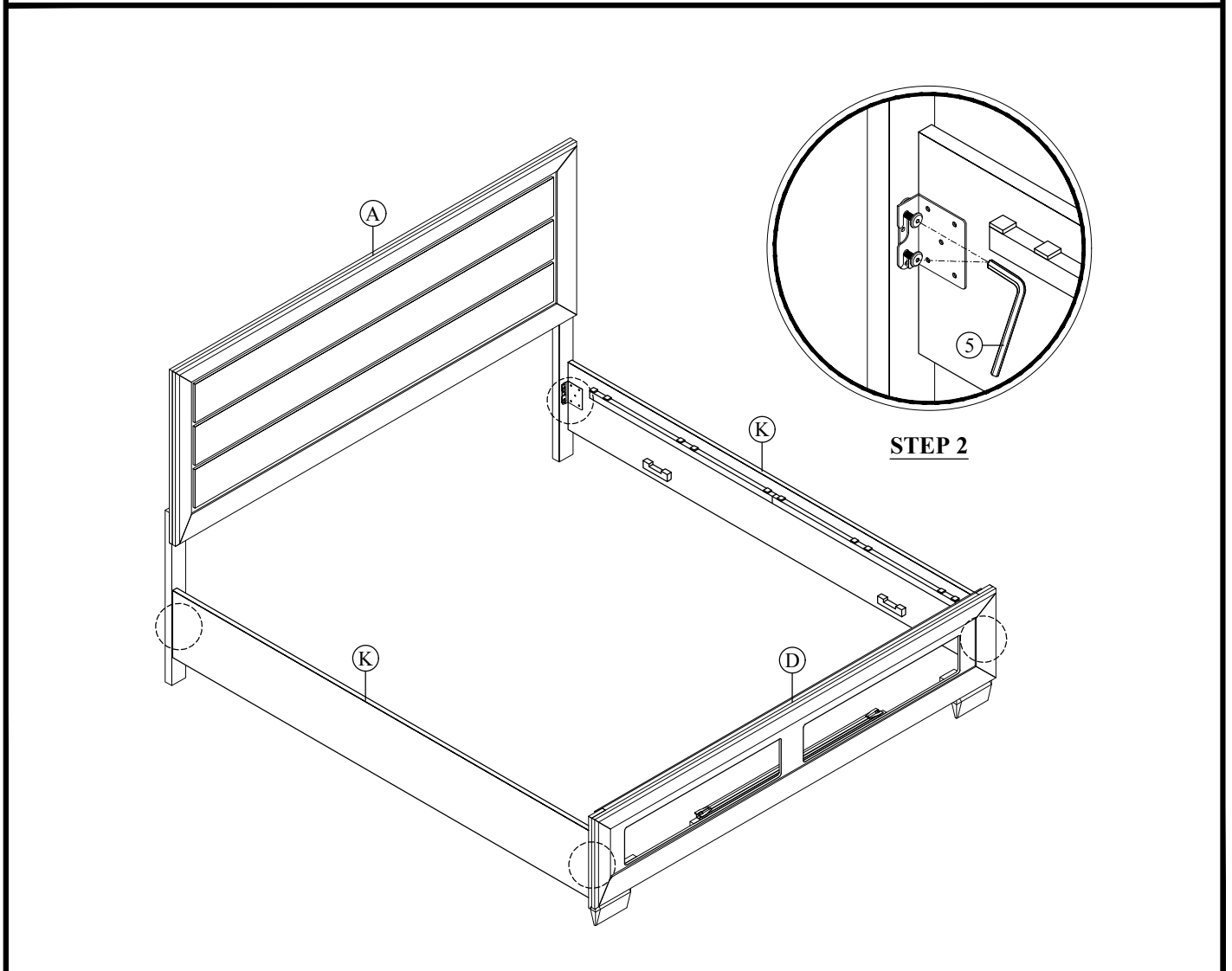
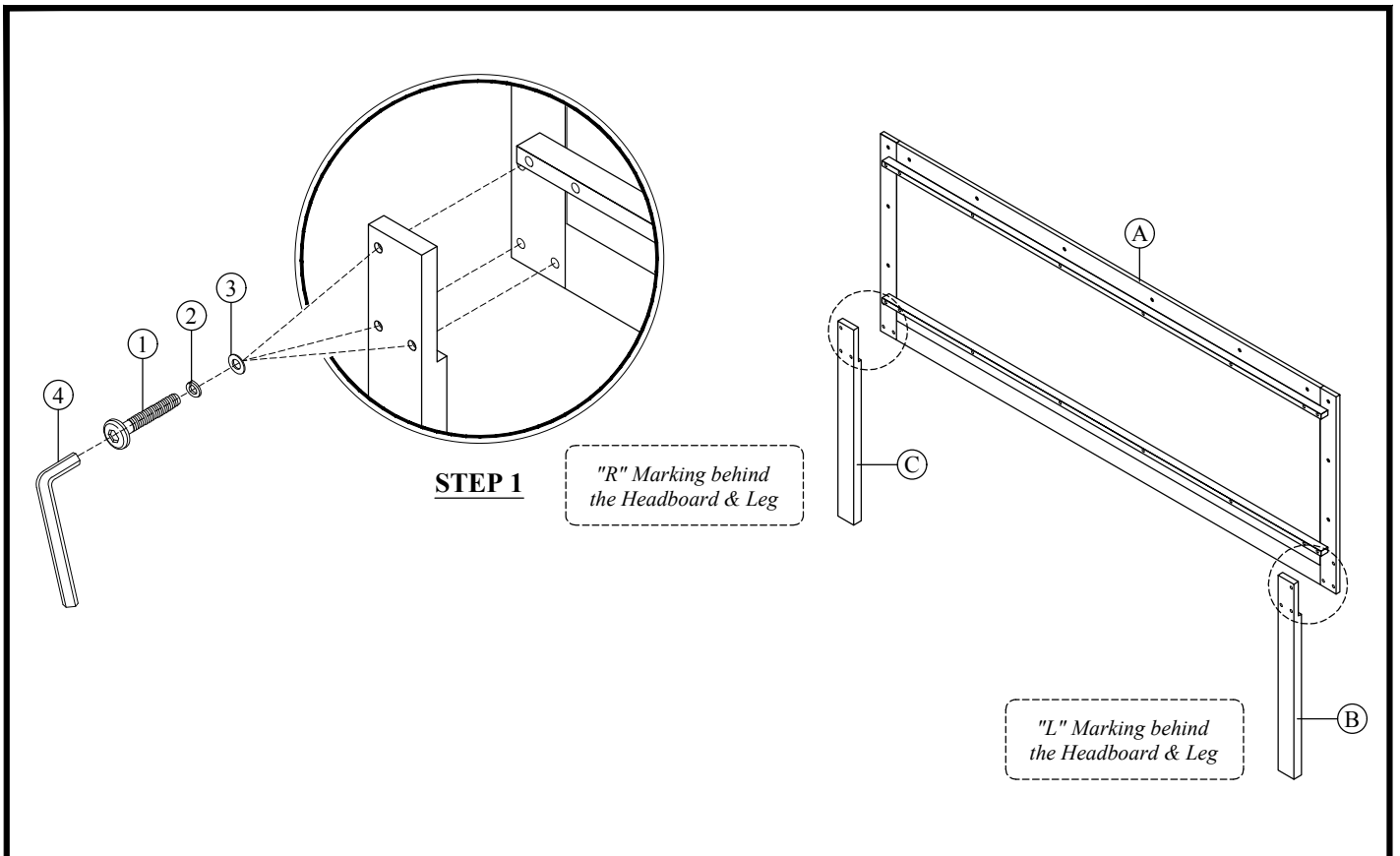
Hardware List In Headboard & Footboard			
No	Descriptions		Qty
1	JCBC Screw M6 x 30mm		6
2	Spring Washer Ø1/4"		6
3	Flat Washer Ø1/4" x 13mm		6
4	L Key M4 x 65mm		1
5	L Key M5 x 65mm		1
6	CSK M4 x 16mm		7
7	CSK M4 x 32mm		30
8	JCBC Screw M6 x 50mm		4

Side Rail		
No	Descriptions	Qty
K	Bed Rail	2
L	Center Slat With 3 Holes	1

Drawer		
No	Descriptions	Qty
M	Drawer	2

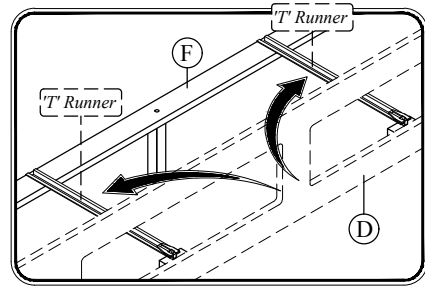


# ASSEMBLY INSTRUCTIONS



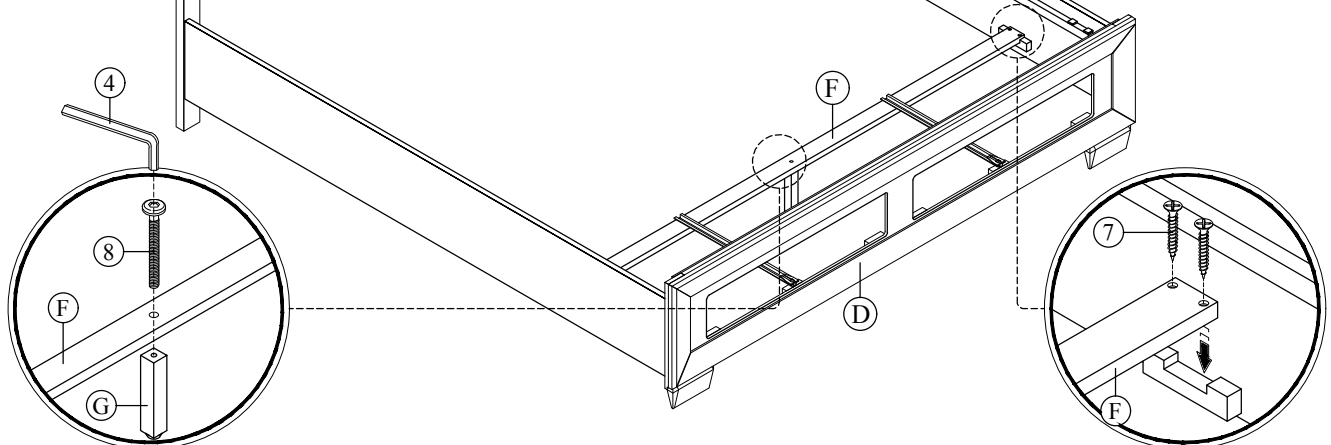


# ASSEMBLY INSTRUCTIONS



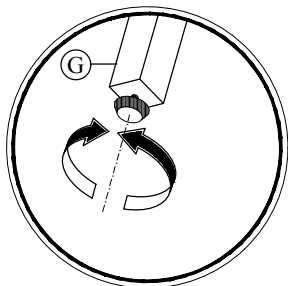
(Turn the 'T' runner towards the drawer slat.)

## STEP 5



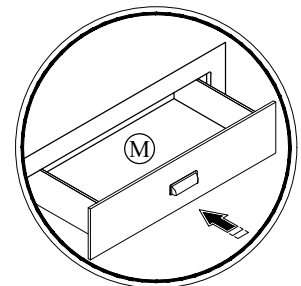
## STEP 3

## STEP 4

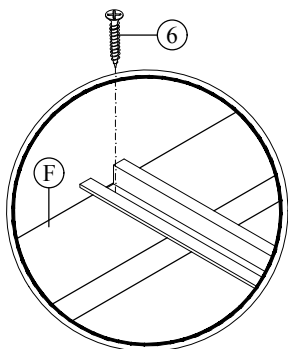


Adjust the adjuster until the drawer closes tightly.

## STEP 8



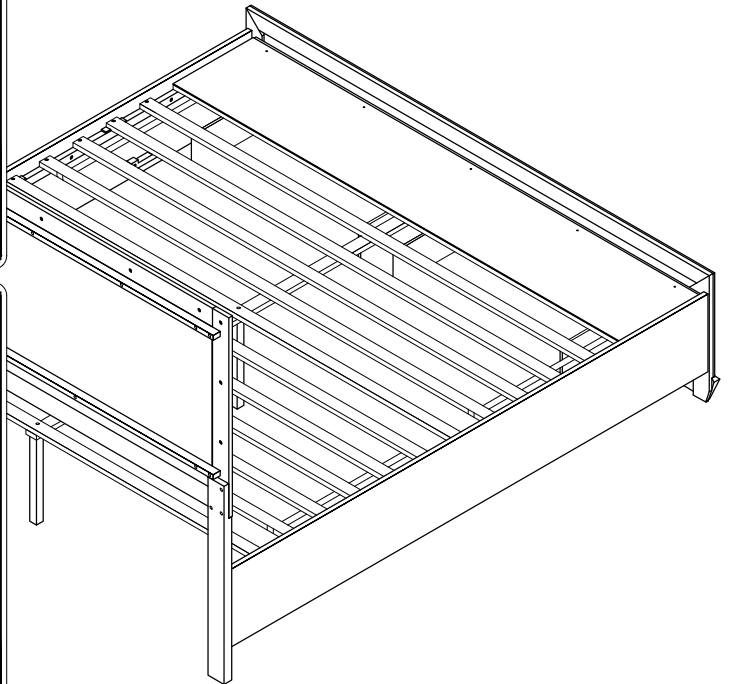
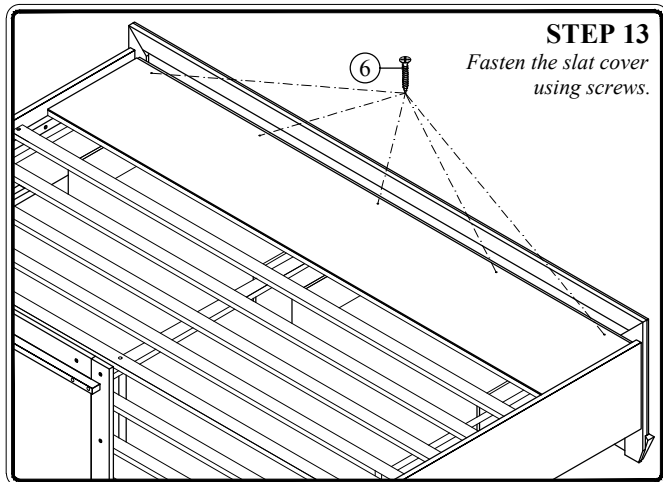
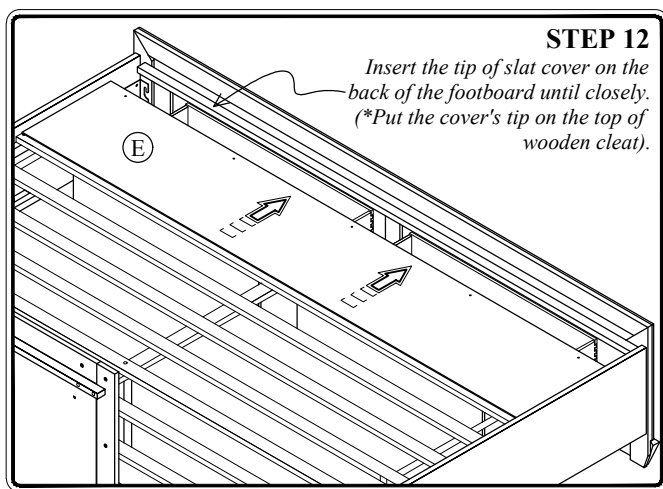
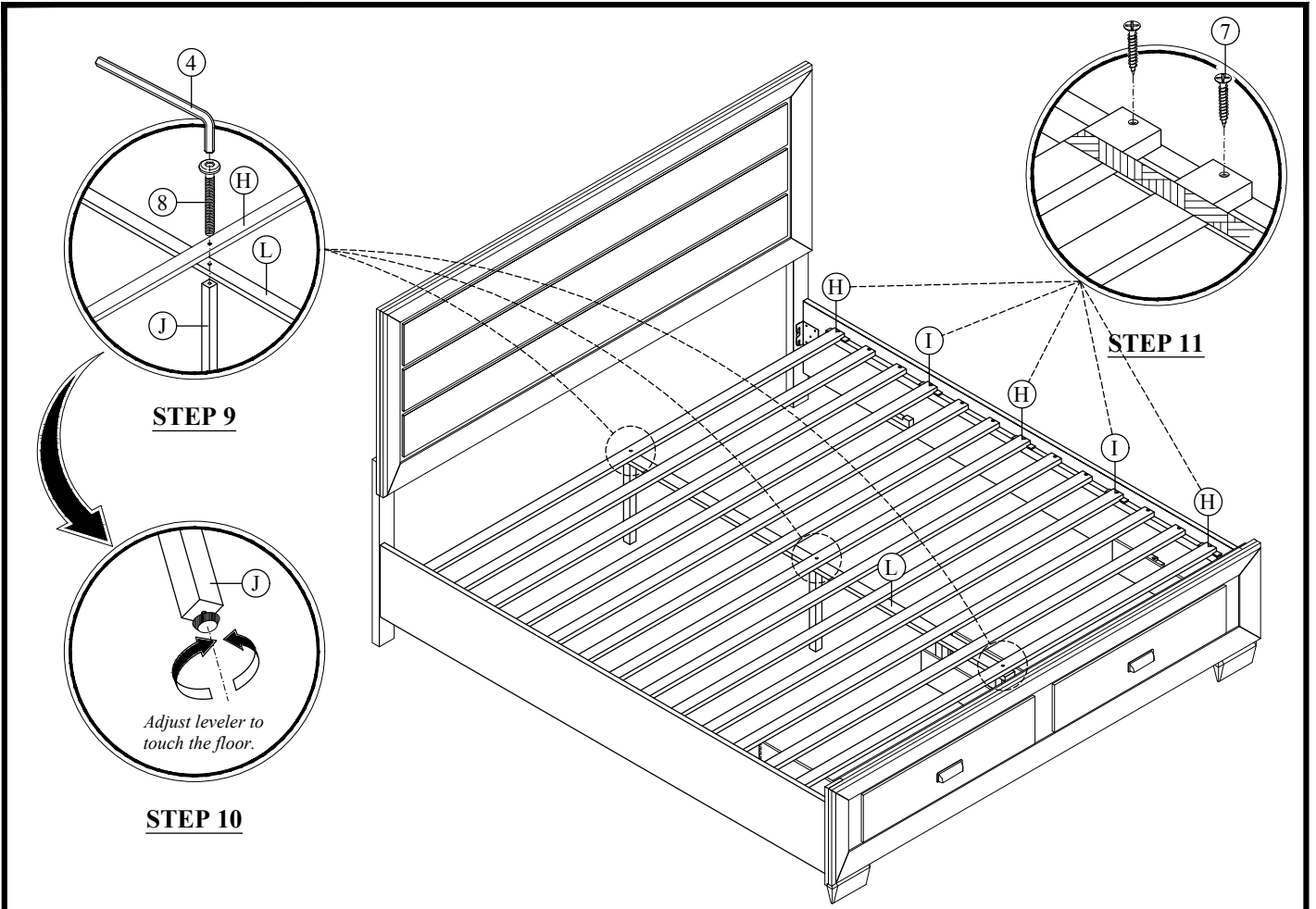
## STEP 6



After insert the drawer please fasten the T-Runner on the drawer slat with screw.

## STEP 7

# ASSEMBLY INSTRUCTIONS



# ASSEMBLY INSTRUCTIONS

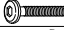




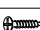
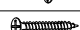

**MODEL :** FBQHFR-077D +  
 FBQSRR-077E +  
 FBQDWR-077A

**REVISION :** A

**ASSEMBLY TIPS :**

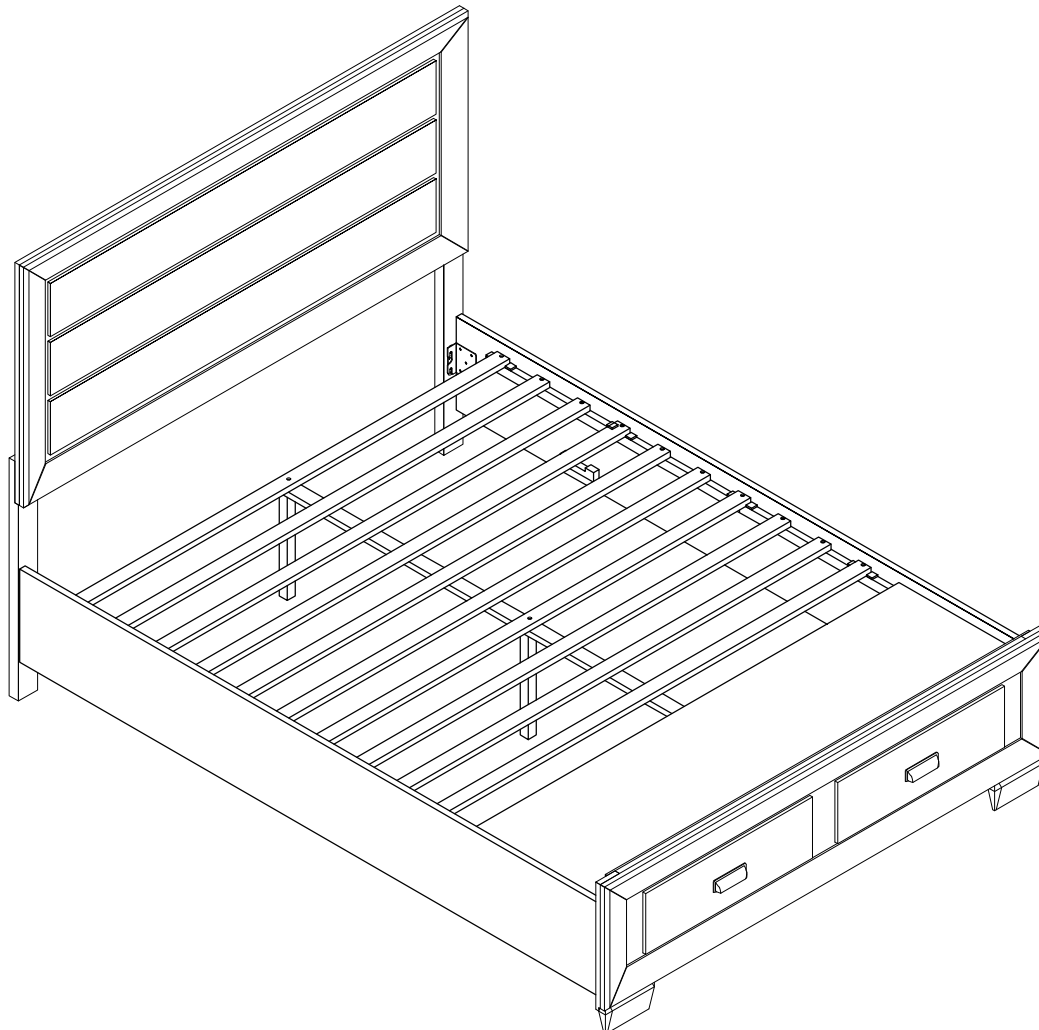
1. Remove hardware from box and sort by size.
2. Please check to see that all hardware and parts are present prior to start of assembly.
3. Please follow attached instructions in the same sequence as numbered to assure fast and easy assembly.

Component List		
Headboard & Footboard		
No	Descriptions	Qty
A	Headboard Panel	1
B	Headboard Leg Left (L)	1
C	Headboard Leg Right (R)	1
D	Footboard Panel	1
E	Slat Cover	1
F	Drawer Slat	1
G	Drawer Slat Support	1
H	Bed Slat 3 Holes	3
I	Bed Slat 2 Holes	10
J	Bed Slat Support	3

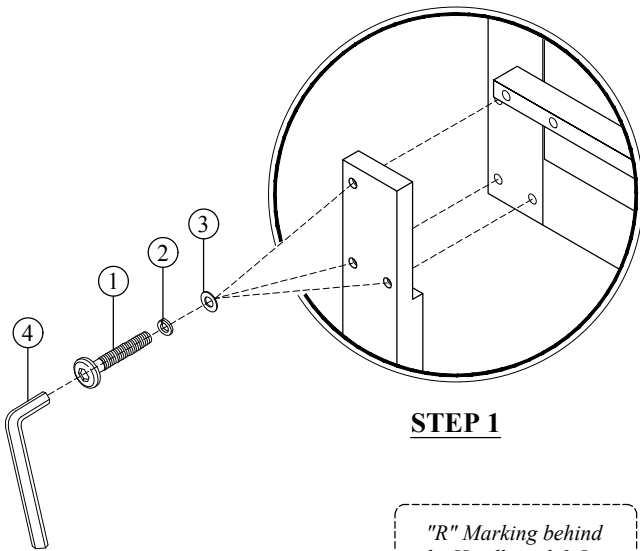
Hardware List In Headboard & Footboard			
No	Descriptions		Qty
1	JCBC Screw M6 x 30mm		6
2	Spring Washer Ø1/4"		6
3	Flat Washer Ø1/4" x 13mm		6
4	L Key M4 x 65mm		1
5	L Key M5 x 65mm		1
6	CSK M4 x 16mm		6
7	CSK M4 x 32mm		30
8	JCBC Screw M6 x 50mm		4

Side Rail		
No	Descriptions	Qty
K	Bed Rail	2
L	Center Slat With 3 Holes	1

Drawer		
No	Descriptions	Qty
M	Drawer	2

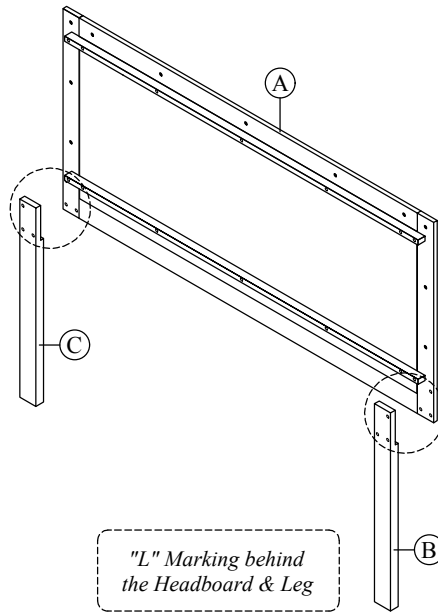


# ASSEMBLY INSTRUCTIONS

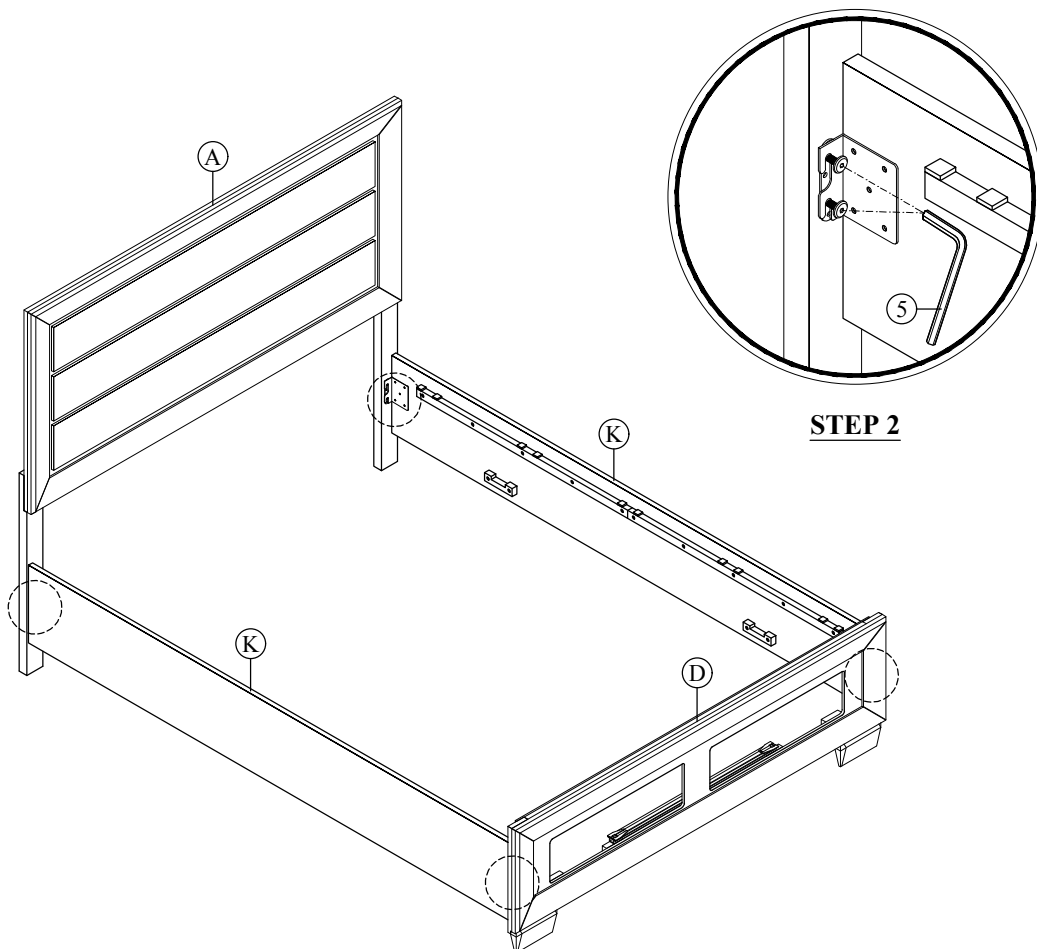


**STEP 1**

*"R" Marking behind the Headboard & Leg*

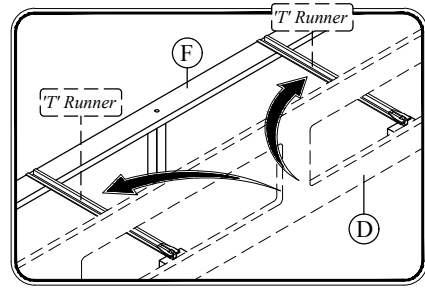


*"L" Marking behind the Headboard & Leg*



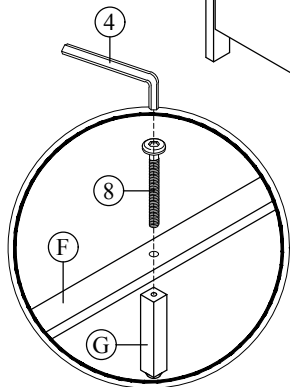
**STEP 2**

# ASSEMBLY INSTRUCTIONS

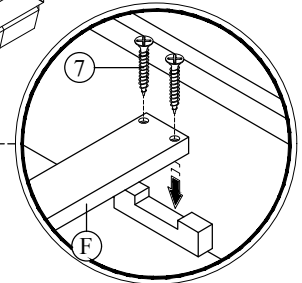


(Turn the 'T' runner towards the drawer slat.)

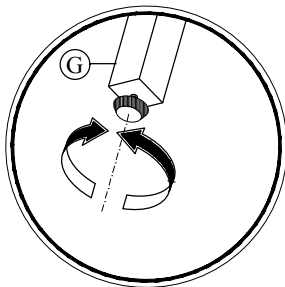
## STEP 5



## STEP 3

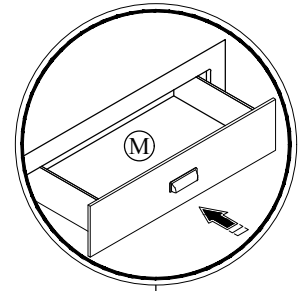


## STEP 4

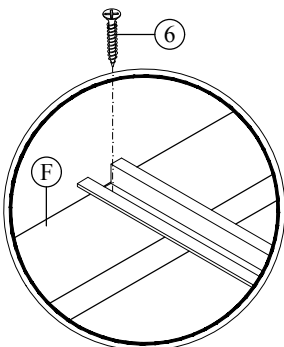


## STEP 8

Adjust the adjuster until the drawer closes tightly.



## STEP 6



## STEP 7

After insert the drawer please fasten the T-Runner on the drawer slat with screw.

# ASSEMBLY INSTRUCTIONS

